

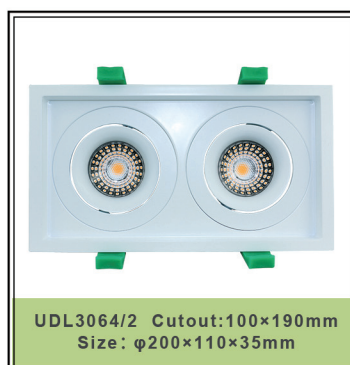
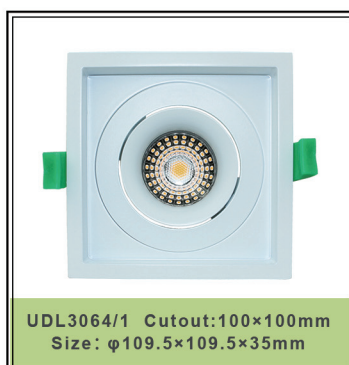
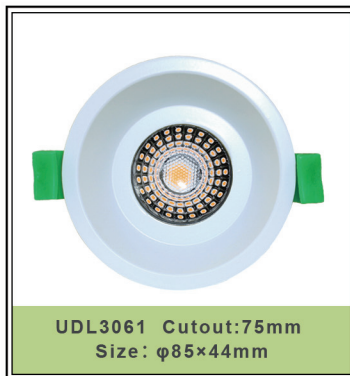
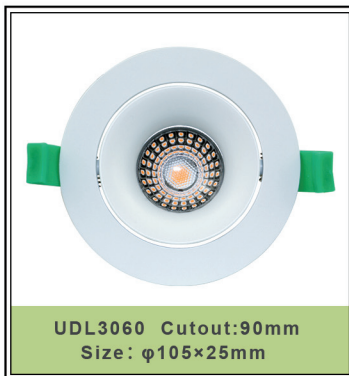
KIT INCLUDES

- 1X12W CREE COB LED MODULE
- 1XDimmable & C-Bus compatible LED Driver with SAA flex and plug

PRECAUTION & WARNING

- Switch off power before changing or replacing light
- For indoor use only
- Note for use in fully enclosed area
- Protect against direct sunlight, water and high temperature
- Consult with qualified Electrician if unsure about installation

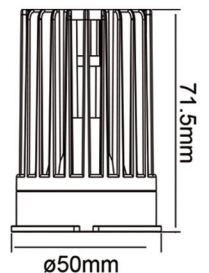
LED MODULE WITH DIMMABLE



CODE	UOPTIC12-WW	UOPTIC12-WH
KELVIN	3000K	5500K
LUMENS	750lm	850lm
BEAM	60°	60°
CRI	>80	>80
WATT	12W=60W	12W=60W
DIMENSION	D50 x H71.5mm	D50 x H71.5mm

PRODUCT FEATURES

- Up to 90% energy saving
- Input voltage: 240V 50Hz
- Wattage: 12W
- Replace to 60W Halogens
- CREE COB LED
- Ambient temperature: -10 + 45°C
- 1.2m SAA flex & plug included
- Dimmable LED DC driver included
- LED module will fit into most downlight fixture
- No flickering, no UV
- High lumen output
- Dimmable, can work with most leading/ trailing edge and universal dimmers & C-Bus compatible
- 3 years replacement warranty





OPTIC 12W LED MODULE

240V LED RETRO FIT 50,000HOURS DIMMABLE

United Global Enterprises
11 Harper St, Abbotsford, VIC 3067
Tel: 03 - 9415 7992

THE LIGHT IN YOUR LIFE

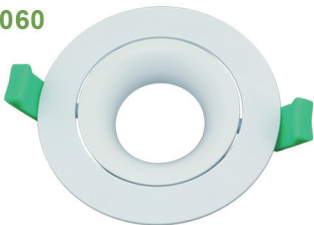


LED MODULE WITH DIMMABLE

Die-casting aluminum
Meet your diverse architectural needs
Perfect fit in OPTIC12

► Black finish optional

UDL3060



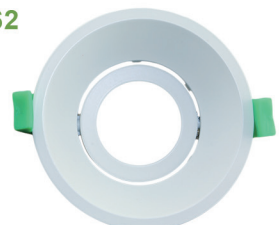
Cutout:90mm Size: ϕ 105 \times 25mm

UDL3061



Cutout:75mm Size: ϕ 85 \times 44mm

UDL3062



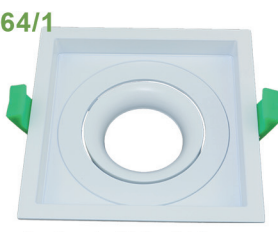
Cutout:90mm Size: ϕ 100 \times 44.5mm

UDL3063



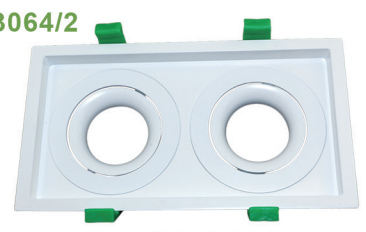
Cutout:70mm Size: ϕ 85 \times 32mm

UDL3064/1



Cutout:100 \times 100mm
Size: ϕ 109.5 \times 109.5 \times 35mm

UDL3064/2



Cutout:100 \times 190mm
Size: ϕ 200 \times 110 \times 35mm