



United Global Enterprises

Finest Quality in Energy Efficient Lighting Products

NEW AND IMPROVED

MEGA EXHAUST FAN



UMXSQ8-WH

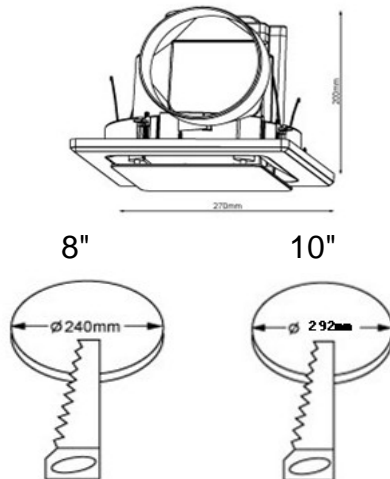
AVAILABLE:

- UMXSQ8-WH 8" Square in White
- UMXSQ8-SS 8" Square in Stainless Steel
- UMXSQ10-WH 10" Square in White
- UMXSQ10-SS 10" Square in Stainless Steel

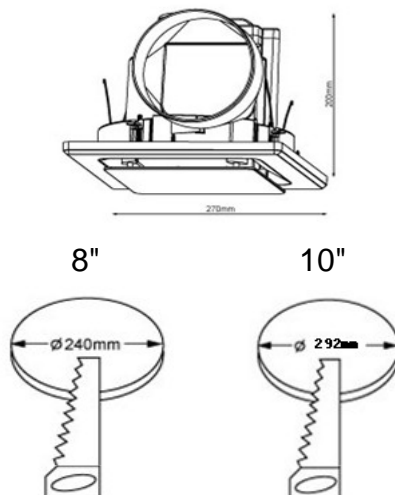
- UMXRD8-WH 8" Round in White
- UMXRD8-SS 8" Round in Stainless Steel
- UMXRD10-WH 10" Round in White
- UMXRD10-SS 10" Round in Stainless Steel



SQUARE



ROUND



FEATURES:

- . Quick and easy installation with round cutout
- . Slimline and stylish design
- . Excellent high airflow 270m³/hr (8") and 320m³/hr (10")
- . Long life ball bearing motor
- . Quite running turbo fan
- . D.I.Y plug and lead inclusive
- . Draft stopper
- . Removable grill for easy cleaning
- . Economical operation for bathroom, toilet and laundry area
- . 3 years warranty

Visit our website at: www.ugelighting.com.au

UGE products reserves the right to modify or change the product at any time.