



15W LED TRACKLIGHT- UTRKB15

DESCRIPTION

The UTRKB15 15W LED track light is a perfect lighting solution for demanding and changing environments like shops, showrooms, public buildings and galleries. An extremely powerful and versatile fixture with outstanding light output and consuming only 15w of power.

The UTRKB15 unique segmented reflector in sheet reflector plate, provides superior reflection abilities and up to 90% and can be applied for accent lighting or general lighting.

FEATURES

Easy to install in new or retrofit installations
Adjustable heads direct light where it is needed
Minimalist design

FINISHING

Die-casting Aluminium
Track type : Single Circuit 3 wire track
Available in White and Black finish

APPLICATION

Track Lighting System for home, gallery, jewelry and office spaces

SPECIFICATION

Model No.: UTRKB15
Wattage: 15W
Input: 240V , 50Hz
LED type: COB Epistar LED Chip
Lumen: 1160lm (5500K) , 1120lm (3000K), CRI >80
CCT: Warm White 3000K, Neutral White 5500K
Beam Angle: 40 degree
Material: Aluminium body and reflector
Dimension: 160(L) x 134(B) x 63(H)
Replacement: MR16 Halogen or Metal Halide track light
Dimming: Dimmable with reputable trailing edge dimmers ;
Warranty: 2 years warranty



15W LED TRACK LIGHT- UTRKB15

PHYSICAL DATA

Product size: L=160mm, B=134mm, H=63mm

Net weight: 350g

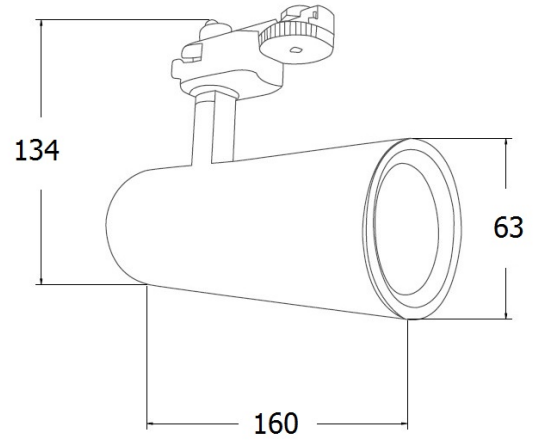
Product box size: L=180mm, B=150mm, H=80mm

Carton size: L=320mm, B=200mm, H=900mm

Quantity per carton: 20pcs

Nett weight per carton: 7.5kg

Gross weight per carton: 7.8kg



GALLERY

