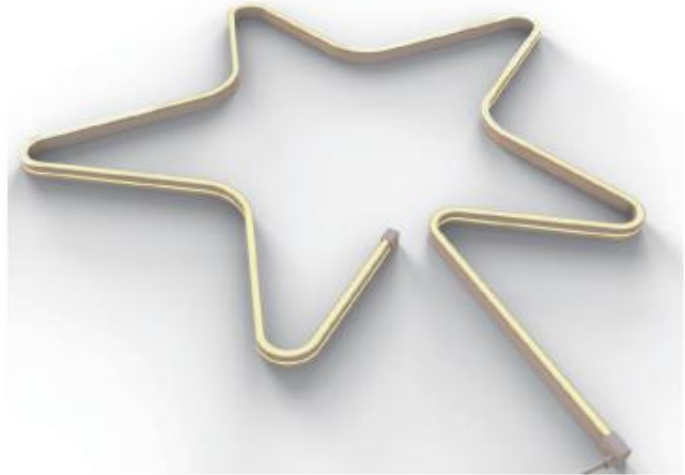




Neon Flex Line

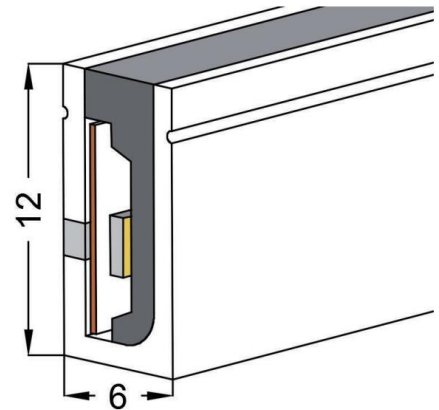


UNEON-0612-SB-WW / UNEON-0612-SB-CW

Side Bend

Description:

Input Voltage: 24V
Max Connection Length: 10 Meter with single end power
Cutting Length: 5cm
Package: 50 Meter/Roll
IP Rate: IP67
100% Silicon tube
Warranty: 3 Years



Features:

Colour temperature: 2700K / 4000K

Power: 10 Watts Per Meter

LED: SMD2835 120Pcs 0.2W/Led chip

Maximum Connection: 10M with single end power / 20M with double end power

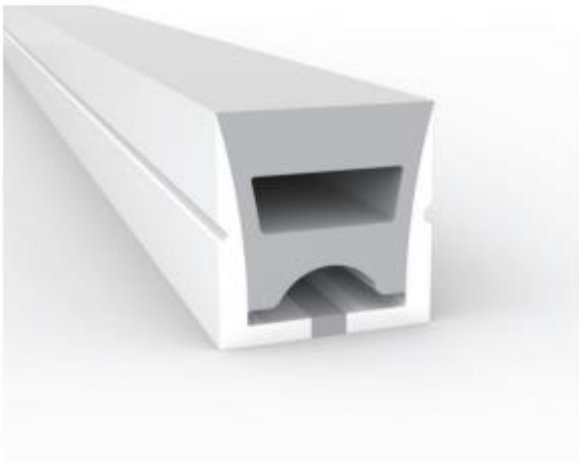
Cutting Increments: Every 5 CM

Mounting: 3 Mounting Clips Supplied Per Meter

Remarks: LED Drivers, Adjustable channel and 1Meter bars are SOLD SEPERATELY



Neon Flex Line

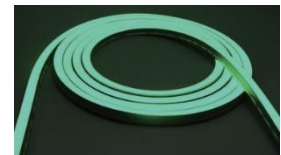
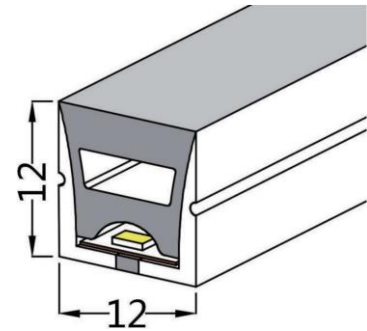


UNEON-1212-TB-WW / UNEON-1212-TB-CW / UNEON-1212-TB-**RGB**

Description:

Input Voltage: 24V
 Max Connection Length: 10 Meter with single end power
 Cutting Length: 5cm
 Package: 50 Meter/Roll
 IP Rate: IP67
 100% Silicon tube
 Warranty: 3 Years

Top Bend



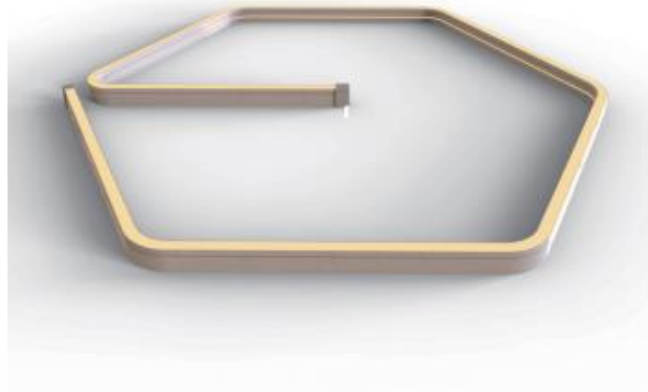
Features:

Colour temperature:	2700K / 4000K	RGB
Power:	10 Watts Per Meter	12W Per Meter
LED:	SMD2835 120Pcs 0.2W/Led chip	5050 RGB 60Leds
Maximum Connection:	10M with single end power 20M with double end power	10 Meter
Cutting Increments:	Every 5 CM	Every 10 CM
Mounting:	3 Mounting Clips Supplied Per Meter	3 Mounting Clips Supplied Per Meter

Remarks: LED Drivers, Adjustable channel and 1Meter bars are SOLD SEPERATELY



Neon Flex Line

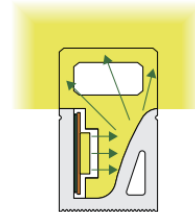
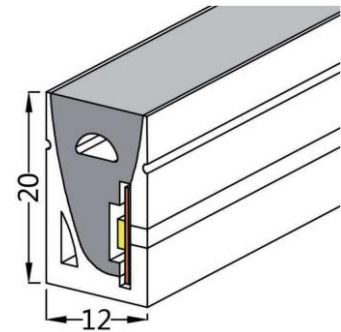


UNEON-1220-SB-WW / UNEON-1220-SB-CW / UNEON-1220-SB-**RGB**

Side Bend

Description:

- Input Voltage: 24V
- Max Connection Length: 10 Meter with single end power
- Cutting Length: 5cm
- Package: 50 Meter/Roll
- IP Rate: IP67
- 100% Silicon tube
- Warranty: 3 Years



Features:

Colour temperature:	2700K / 4000K	RGB
Power:	10 Watts Per Meter	12W Per Meter
LED:	SMD2835 120Pcs 0.2W/Led chip	5050 RGB 60Leds
Maximum Connection:	10M with single end power 20M with double end power	10 Meter
Cutting Increments:	Every 5 CM	Every 10 CM
Mounting:	3 Mounting Clips Supplied Per Meter	3 Mounting Clips Supplied Per Meter

Remarks: LED Drivers, Adjustable channel and 1Meter bars are SOLD SEPERATELY



Neon Flex Line

UNEON0612-S-CHANNEL / UNEON1212-S-CHANNEL / UNEON1220-S-CHANNEL

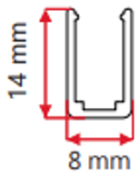
For 06*12mm size neon flex, 1 meter length

For 12*12mm size neon flex, 1 meter length

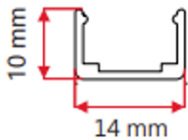
For 12*20mm size neon flex, 1 meter length



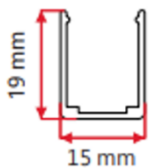
UNEON0612-BAR / UNEON1212-BAR / UNEON1220-BAR



For 06*12mm size neon flex, 1 meter length



For 12*12mm size neon flex, 1 meter length



For 12*20mm size neon flex, 1 meter length



MOUNTING CLIP

3 provided per meter

