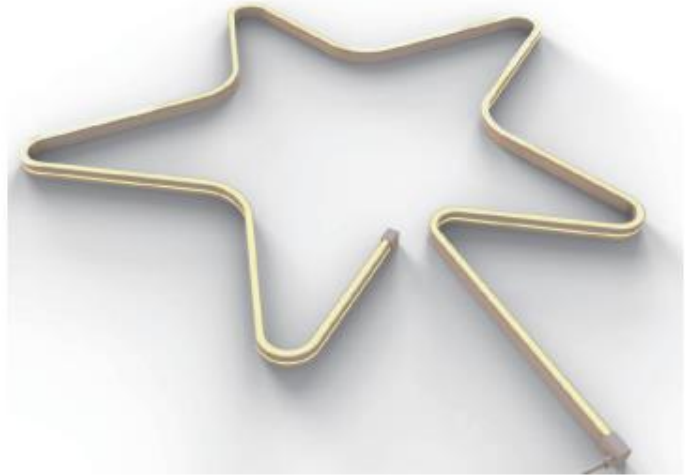
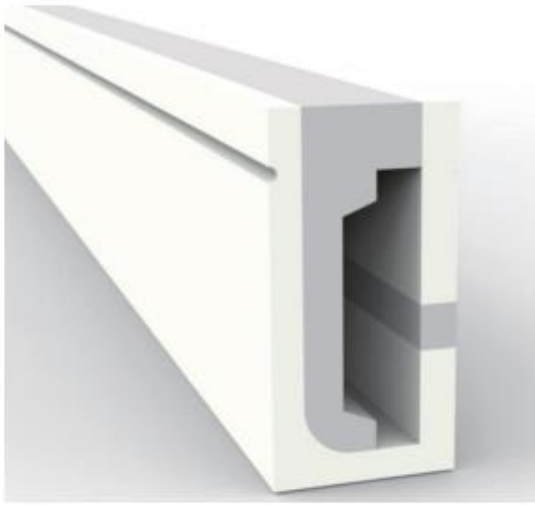




## Neon Flex Line

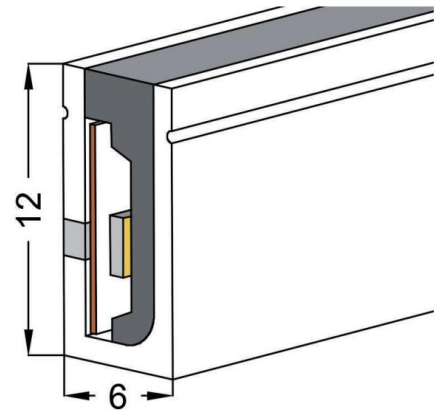


UNEON-0612-SB-WW / UNEON-0612-SB-CW

### Side Bend

#### Description:

Input Voltage: 24V  
Max Connection Length: 10 Meter with single end power  
Cutting Length: 5cm  
Package: 50 Meter/Roll  
IP Rate: IP67  
100% Silicon tube  
Warranty: 3 Years



#### Features:

Colour temperature: 2700K / 4000K

Power: 10 Watts Per Meter

LED: SMD2835 120Pcs 0.2W/Led chip

Maximum Connection: 10M with single end power / 20M with double end power

Cutting Increments: Every 5 CM

Mounting: 3 Mounting Clips Supplied Per Meter

*Remarks: LED Drivers, Adjustable channel and 1Meter bars are SOLD SEPERATELY*



## Neon Flex Line

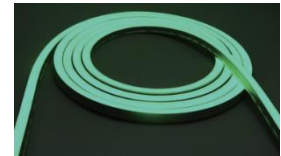
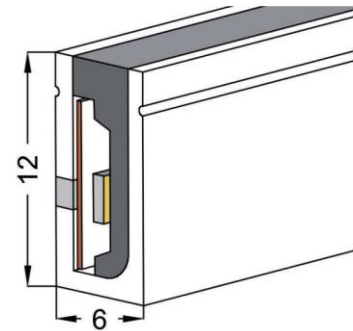


UNEON-1212-TB-WW / UNEON-1212-TB-CW / UNEON-1212-TB-**RGB**

### Description:

Input Voltage: 24V  
 Max Connection Length: 10 Meter with single end power  
 Cutting Length: 5cm  
 Package: 50 Meter/Roll  
 IP Rate: IP67  
 100% Silicon tube  
 Warranty: 3 Years

### Top Bend



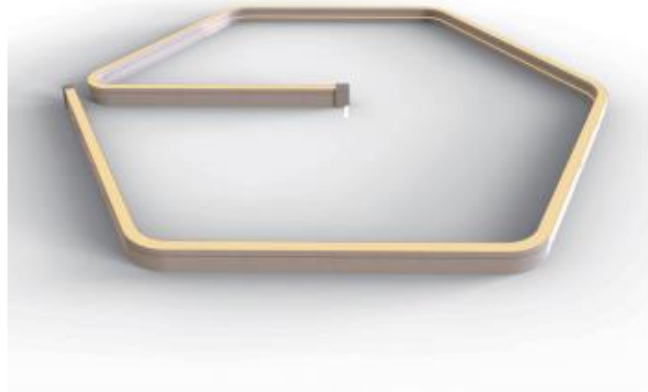
### Features:

Colour temperature:	2700K / 4000K	<b>RGB</b>
Power:	10 Watts Per Meter	12W Per Meter
LED:	SMD2835 120Pcs 0.2W/Led chip	5050 RGB 60Leds
Maximum Connection:	10M with single end power 20M with double end power	10 Meter
Cutting Increments:	Every 5 CM	Every 10 CM
Mounting:	3 Mounting Clips Supplied Per Meter	3 Mounting Clips Supplied Per Meter

Remarks: LED Drivers, Adjustable channel and 1Meter bars are SOLD SEPERATELY



## Neon Flex Line

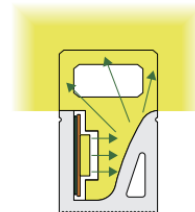
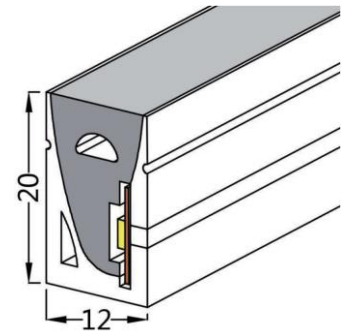


UNEON-1220-SB-WW / UNEON-1220-SB-CW / UNEON-1220-SB-**RGB**

### Side Bend

#### Description:

- Input Voltage: 24V
- Max Connection Length: 10 Meter with single end power
- Cutting Length: 5cm
- Package: 50 Meter/Roll
- IP Rate: IP67
- 100% Silicon tube
- Warranty: 3 Years



#### Features:

Colour temperature:	2700K / 4000K	<b>RGB</b>
Power:	10 Watts Per Meter	12W Per Meter
LED:	SMD2835 120Pcs 0.2W/Led chip	5050 RGB 60Leds
Maximum Connection:	10M with single end power 20M with double end power	10 Meter
Cutting Increments:	Every 5 CM	Every 10 CM
Mounting:	3 Mounting Clips Supplied Per Meter	3 Mounting Clips Supplied Per Meter

Remarks: LED Drivers, Adjustable channel and 1Meter bars are SOLD SEPERATELY



## Neon Flex Line

### UNEON0612-S-CHANNEL / UNEON1212-S-CHANNEL / UNEON1220-S-CHANNEL

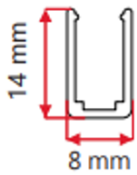
For 06\*12mm size neon flex, 1 meter length

For 12\*12mm size neon flex, 1 meter length

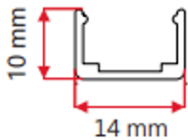
For 12\*20mm size neon flex, 1 meter length



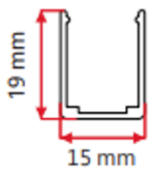
### UNEON0612-BAR / UNEON1212-BAR / UNEON1220-BAR



For 06\*12mm size neon flex, 1 meter length



For 12\*12mm size neon flex, 1 meter length



For 12\*20mm size neon flex, 1 meter length



### MOUNTING CLIP

3 provided per meter

