



ULEDBAR-AL-11

This Trimless LED profile is designed to be completely seamless once installed into plaster ceilings or walls, with no aluminium frames showing. The aluminium channels are simply screwed to the plasterboard, with plaster applied up to the diffuser. The aluminium led channel can be cut down to any length and widely used as interior lighting



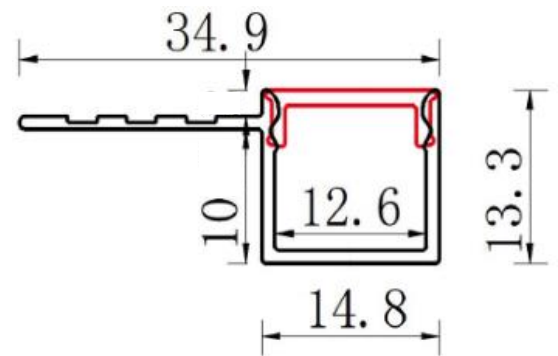
Features

- Easy to cut to size or extend as needed
- Good heatsinking for LED longevity
- Default fitting colour: anodised silver

Accessories

- 4 Poly End Caps per standard length
- Diffuser - Frosted

*LEDs and driver not included.



Product Specifications

Dimensions (mm) 3000*34.9*13.3

Cut-out (mm) 3000*14.8*10

Installation Instruction

- Step 1: Fix the trimless extrusion in minimum 10mm Plasterboard using metal screws to hold it in position or using plasterboard or drywall adhesives. Or make a cut-out dimensions, then fix the trimless extrusions in position.
- Step 2: Once done, patch over the mounting frame with plaster and paint and let it dry then install strip and diffuser