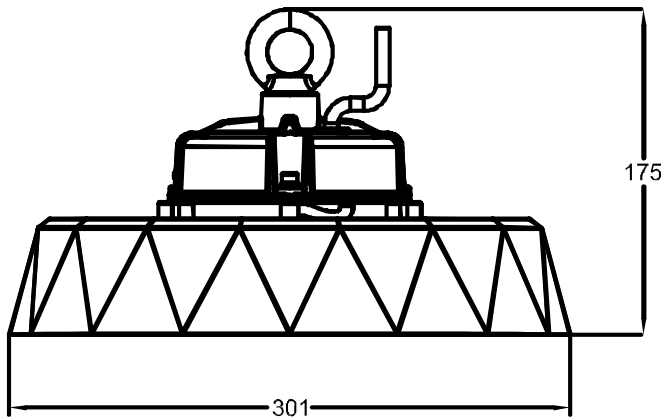
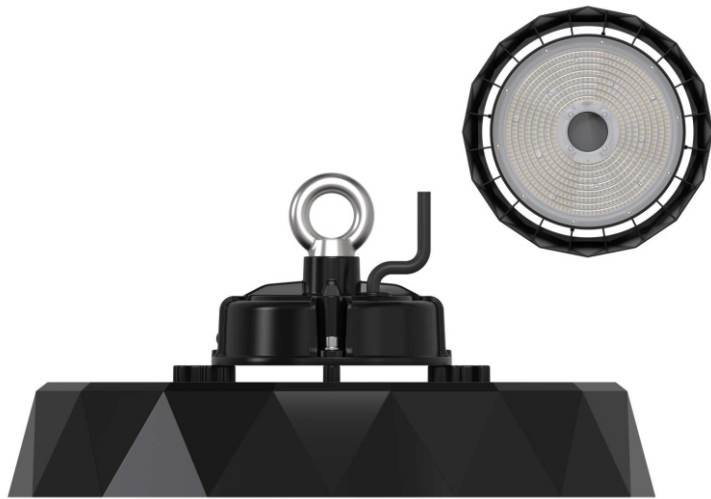




LIGHTING THAT OUTPERFORMS

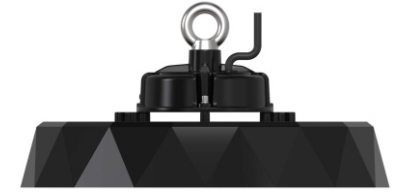
SINCE 1998

DIAMOND SERIES WATTAGE & 3CCT SELECTABLE LED HIGH BAY



Features

- Patent design, Inspiration from diamonds
- The hollow design is easy for heat dissipation
- Keeping the drive away from the heat sink body, improve the lifetime of the driver
- Vent inside, balancing atmosphere pressure and avoiding moisture
- Smart function: mirowave sensor, Dimmable, emergency, Tuya function is available



Parameter

Model NO.	UHB150W-SW-3CCT
Input Voltage	AC 100-277V 50 Hz
Light Source	2835, 1W
Power Range	100W, 120W, 150W
CCT Range	4000K / 5000K / 6000K
Beam Angle	120°
Lumens	21750LM / 24000LM / 21750LM
Working Temperature	- 30 to + 40°C
Size	Diameter 301 x H 75mm
Waterproof	IP65 & IK08
Installation Height	5-10 M
Installation	Hook, Surface Mounting
Accessory	Hook and 1.2M flex and plug
Warranty	5 years

