

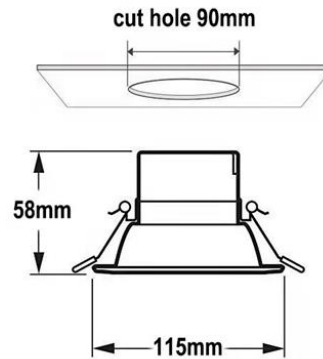


LIGHTING THAT OUTPERFORMS

SINCE 1998

3CCT MICROWAVE MOTION SENSOR DOWNLIGHT

UNOVD10-SENSOR-3CCT



Intelligent LED Lighting



Advantages compared to PIR

<p>360°</p>	VS	<p>120°</p>
<p>Microwave Sensor LED lighting: Sensor Type: Electromagnetic Wave Induction Angle: 360° Sensor Distance: 3.0-8.0m Delay Time: 30 seconds Sensitivity: High Stability</p>		<p>PIR Motion Sensor LED Lighting: Sensor Type: Infrared Induction Angle: 120° Sensor Distance: 2.5-3.0m Delay Time: 15 seconds Sensitivity: Reducing under high temperature or after a certain serve time</p>